

## INSTRUCTION SHEET

# 'TST' Series Serviceable Oil Strainer For Transcritical CO<sub>2</sub>

## INTRODUCTION

### Specifications

- Maximum Working Pressure: 2031 PSI
- Nickel-Plated Steel Construction
- 1/4" FNPT inlet & outlet
- 100 Mesh Stainless Steel Strainer Basket
- 5.51 sq. in. filtering surface area
- Hermetically-Sealed Integrated Sight Glass
- Suitable for all refrigerants and oil types

### Items Needs

- Evacuation pump
- 2" Socket and Wrench
- Adjustable Wrench
- Gasket Scraper
- Service Kit model 90-026TK
  - 90-026 replacement strainer Basket
  - Replacement PTFE gasket 100-022
  - Replacement spring 130-007A

### Warning

Improper installation or misuse of this product may cause serious personal injury or damage to equipment and property.

**THESE INSTRUCTIONS ARE PREPARED TO ASSIST QUALIFIED PERSONNEL TO SERVICE PRESSURE VESSEL EQUIPMENT. CONSUMERS ARE NOT QUALIFIED TO PERFORM THE INSTALLATION DESCRIBED BELOW.**

## INSTRUCTIONS

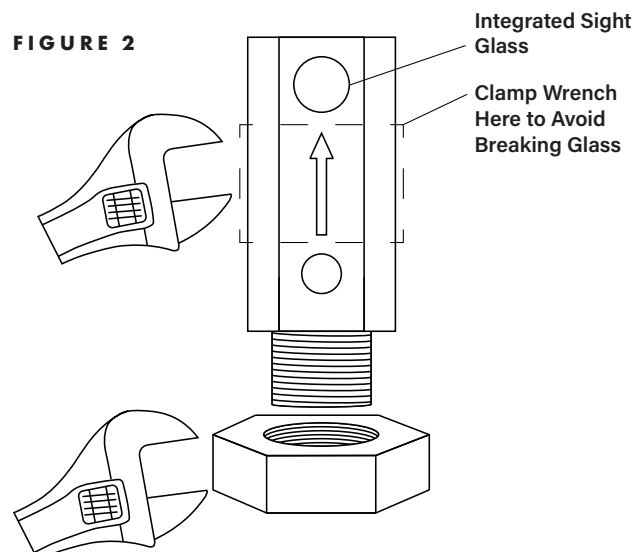
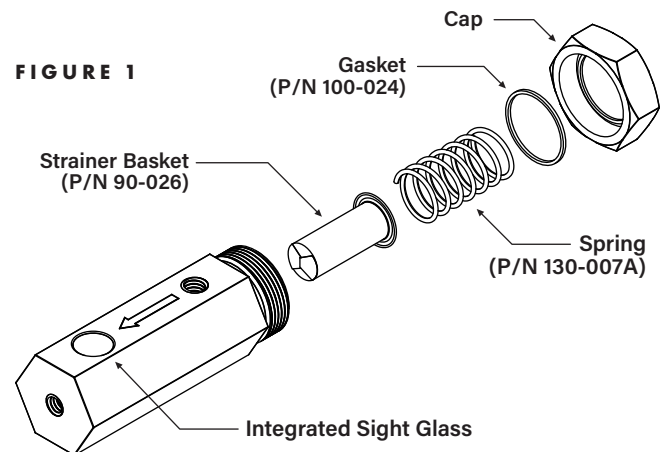
### Preparation

1. Isolate the oil strainer from the system.
2. Evacuate all refrigerant.
3. Locate access fittings to assist with evacuation to ensure there is no internal pressure on the oil strainer.

### Service / Replacement

1. Securing the strainer body with adjustable wrench, remove 1-3/4" seal cap with 2" wrench. (See Figure 2)
2. Remove strainer basket by pulling straight out. **Service clearance required: 2"**
3. Inspect inside of strainer body. Use a rag to wipe away any residual debris.

4. Install new strainer basket, ensuring it is fully seated.
5. Remove old PTFE gasket from the groove in the strainer body surrounding the rotolock thread. Replace with gasket included in service kit.
6. Ensure spring is properly seated in housing.
7. Confirm that arrow is oriented correctly in direction of oil flow
8. Securing the strainer body with adjustable wrench, reinstall the seal cap using 2" socket and torque to 65 ft-lbs
9. Evacuate all air from oil strainer.
10. Open valves (if applicable) and turn the system back on.
11. Check for leaks.



# INSTRUCTION SHEET

## 'TST' Series Serviceable Oil Strainer For Transcritical CO<sub>2</sub>

### CONTACT INFORMATION

#### Offices & Plant

**Mail** Westermeyer Industries  
1441 State Route 100  
Bluffs, IL 62621

**Phone** (217) 754-3277  
**Fax** (217) 754-3288

**Office Hours** M-F  
8:00am—4:30pm



#### Support & Sales

**Customer Service** customercare@westermeyerind.com

**Sales** sales@westermeyerind.com

**Engineering** engineering@westermeyerind.com

**Human Resources** HR@westermeyerind.com

### NOTICES

For standard terms and conditions, please visit our website at [www.westermeyerind.com](http://www.westermeyerind.com)

The information contained in this document is correct at the time of issue but may be subject to change without prior notice.  
Contact Westermeyer Industries for the most current documentation.